

本公司致力于技术创新，保留修改技术参数而不预先通知的权利  
The company is committed to technological innovation, reserves  
the right to modify technical parameters without prior notification

 沃莱机械

创建于1996年!  
Established in 1996!





**浙江三雄机械股份有限公司**  
ZHEJIANG SANSHON MACHINERY CO.,LTD  
**绍兴沃莱食品机械有限公司**  
SHAOXING WALLEY FOOD MACHINERY CO.,LTD

地址：浙江省绍兴市上虞区梁湖街道百丰大道4号  
Add : No.4 Baifeng Highway, Lianghu Subdistrict, Shangyu  
District, Shaoxing City, Zhejiang Province, China.  
电话：0575-82050227      Tel : +86-575-82050227  
Web: www.walley.biz      E-mail: info@walley.biz  
Web : www.sanshon.com      E-mail : info@sanshon.com

## SLD型流态化速冻机介绍

### SLD fluidized quick freezer introduction

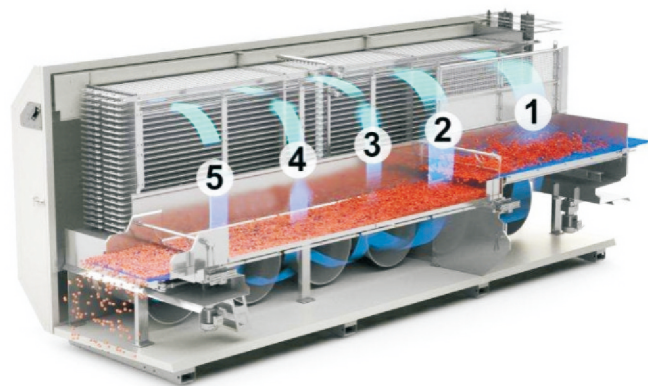


#### 概述:

SLD型流态化速冻机是我公司结合瑞典、美国、加拿大等国家同行设备的新技术开发出来的，具有实用高效，真正流态化的单体速冻效果的速冻机。

#### 特点:

- 1) 速冻机的物料输送采用两段式输送结构。初冻段和深冻段的网带传动速度、风机转速均为独立调节，以适应不同物料的加工。
- 2) 初冻段设有旁通脉冲装置，增强流态化效果。再配以打链机构，能有效防止果蔬间的联块，实现物料的快速冻结。
- 3) 速冻机还配备了ADS空气自动除霜可选装置。ADS装置能使蒸发器翅片的霜层厚度长时间保持在3mm以下，保证速冻机能20个小时连续正常生产。



#### Summary:

Summary: SLD fluidized quick freezer is a new product developed by our company, combining the latest technology of same products from Sweden, America and Canada. It is practical and efficient, realizing a real fluidized IQF effect.

#### Characteristic:

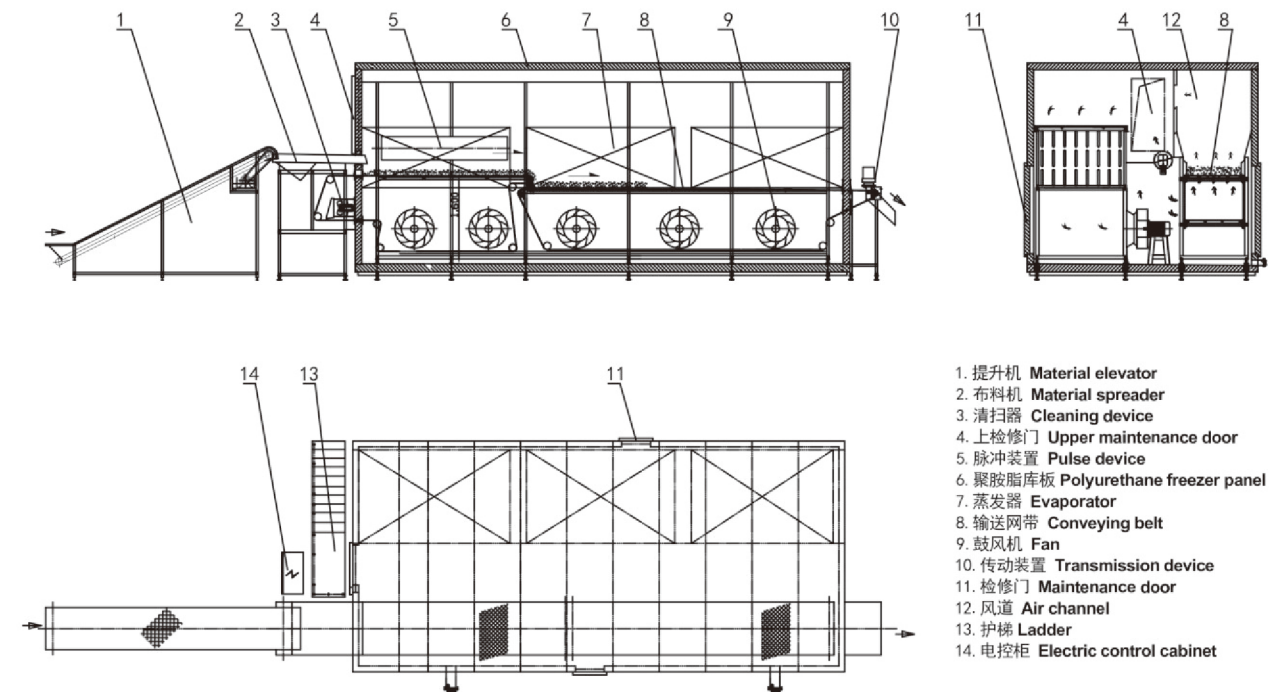
- 1) Material's conveyor adopts two-stage structure. The conveyor speed and fan speed of first-freezing stage and deep-freezing stage are adjusted separately, meeting the process requirement of different materials.
- 2) First-freezing stage has a bypass pulse device, enhancing the fluidized effect. Combined with beating mechanism, prevent materials from caking effectively and realize quick freezing of material.
- 3) Freezer has an ADS air automatic defrost device for optional. ADS device can keep frost on evaporator fin thinner than 3mm for a long time, ensuring 20 hours continuous running.

## SLD型流态化速冻机主要技术参数

### Main technical parameters of SLD model fluidized quick-freezing machine

参数 Parameters	型号 Model	SLD-0.5	SLD-1.0	SLD-1.5	SLD-2.0	SLD-3.0	SLD-4.0	SLD-5.0
产量 Capacity (kg/h)		500	1000	1500	2000	3000	4000	5000
外形尺寸 (L×W×H) Overall dimensions (m)		7.2×3.8×3.8	8.2×4.4×3.8	10.2×4.4×3.8	11.2×4.4×3.8	13.2×4.7×4.4	16.2×4.7×4.4	20.2×4.7×4.4
库体长度 Freezer length (m)		5	6	8	9	11	14	18
网带宽度 Width of belt (m)		1	1.2	1.2	1.2	1.3	1.3	1.3
进料温度 Input material temperature (°C)		+15						
出料温度 Output material temperature (°C)		-18						
冻结温度 Freezing temperature (°C)		-36±2						
冻结时间 Freezing Time (min)		5 ~ 50(连续可调)(Continually adjustable)						
制冷剂 Coolant		R717/R507a/R404a						
耗冷量 Cold load (kw)		115	165	256	320	460	615	750
装机功率 Power required (kw)		28	42	57	66	99	105	129

注: ①生产能力以青刀豆为计。 ②耗冷量工况: +35°C/-40°C。 ③装机功率不含压缩机系统。  
Note: ①capacity based on string bean. ②working condition of cold load: +35°C/-40°C. ③power required excludes refrigeration system.

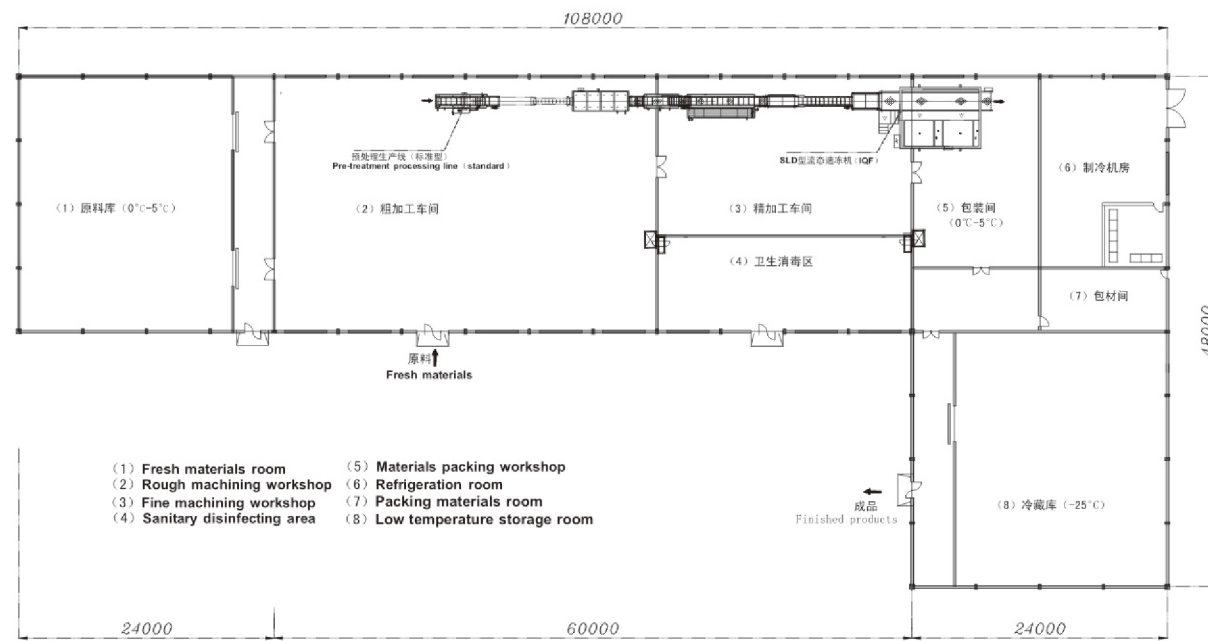


SLD型流态化速冻机示意图 SLD fluidized quick freezer diagram Sketch Map

1. 提升机 Material elevator
2. 布料机 Material spreader
3. 清扫器 Cleaning device
4. 上检修门 Upper maintenance door
5. 脉冲装置 Pulse device
6. 聚氨酯库板 Polyurethane freezer panel
7. 蒸发器 Evaporator
8. 输送网带 Conveying belt
9. 鼓风机 Fan
10. 传动装置 Transmission device
11. 检修门 Maintenance door
12. 风道 Air channel
13. 护梯 Ladder
14. 电控柜 Electric control cabinet

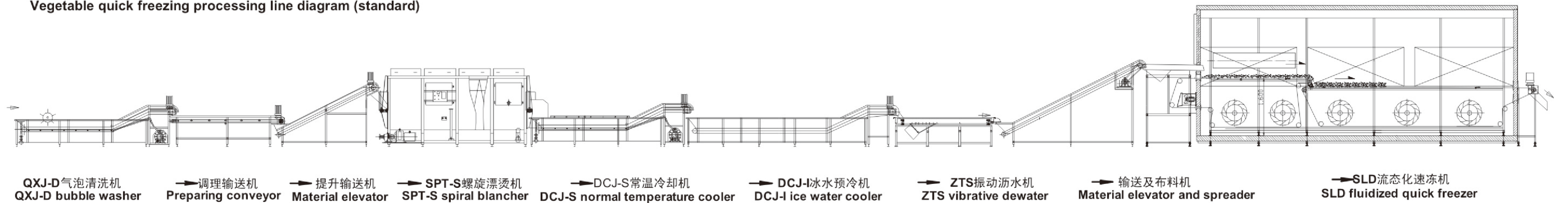
蔬菜速冻车间示意图

Vegetable quick freezing workshop diagram

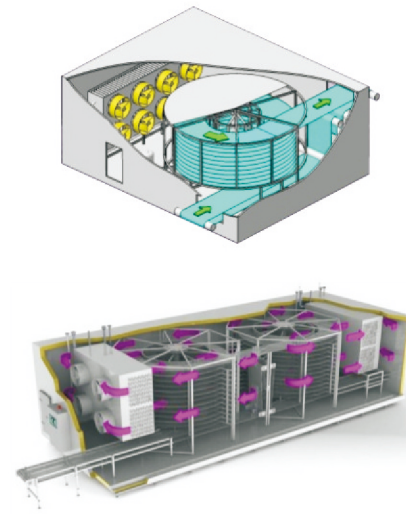


蔬菜速冻生产线流程示意图(标准型)

Vegetable quick freezing processing line diagram (standard)



## SF系列螺旋速冻机介绍 SF series spiral freezer introduction



### 概述：

螺旋速冻机是在较小的地面空间内冻结大量产品的高效冻结装置。其应用领域主要是面包发酵、冷却。水产品、面点、肉类、家禽类、袋装调味品、乳制品以及冰激凌等食品的速冻。它的冻结量：300kg/h-3000kg/h。

根据旋转塔的数量分为DSF型单螺旋与SSF型双螺旋两种形式。

### Summary:

Summary: spiral freezer is a high efficient quick freezing machine with small floor space and large capacity. It is mainly suitable for bread fermentation and cooling; freezing aquatic products, flour products, meat, poultry, bagged condiment, dairy products and ice cream, etc. The capacity is 300kg/h-3000kg/h.

According to the rotary drum quantity, it can be divided into two types: DSF single-drum spiral freezer and SSF double-drum spiral freezer.

### SF螺旋速冻机的主要特点：

- 1) 传送网带采用SUS304高强度不锈钢螺旋网丝，使用寿命持久。
- 2) 蒸发器使用工业铝合金材料或不锈钢材料制作，换热性能好。
- 3) 速冻机配备了：传送带翻起感应器，网带调节感应器，以及急停开关装置。
- 4) 控制柜由SUS304不锈钢材料制作，如有需要操作界面可选用PLC+触摸屏方式。

### The characteristic:

- 1) Conveying belt adopts SUS304 high strength stainless steel spiral mesh, with a long service life.
- 2) Evaporator is made of industrial aluminum alloy or stainless steel, with a great performance of heat exchange.
- 3) Freezer is equipped with conveyor turnover sensor, belt regulation sensor and scram switch.
- 4) Electric control cabinet is made of SUS304 stainless steel; if necessary the operation interface can be PLC+ touch screen.



## DSF型单螺旋速冻机主要技术参数

Main technical parameters of DSF model single-drum spiral freezer

参数 Parameters	型号 Model	DSF-300	DSF-400	DSF-500	DSF-750	DSF-1000
产量 Capacity (kg/h)		300	400	500	750	1000
外形尺寸 (L×W×H) Overall dimensions (m)		8.6×4.3×3.0	8.9×4.7×3.0	9.6×5.3×3.0	9.6×5.3×4.0	10.2×6.0×4.0
库体长度 Freezer length (m)		5.6	5.9	6.6	6.6	7.2
网带宽度 Width of belt (mm)		400	500	620	700	700
进料温度 Input material temperature (°C)		+15				
出料温度 Output material temperature (°C)		-18				
冻结温度 Freezing temperature (°C)		-36±2				
冻结时间 Freezing Time (min)		5 ~ 50(连续可调)(Continually adjustable)				
制冷剂 Coolant		R717/R507a/R404a				
耗冷量 Cold load (kw)		50	70	85	135	170
装机功率 Power required (kw)		12	16	18	20	25

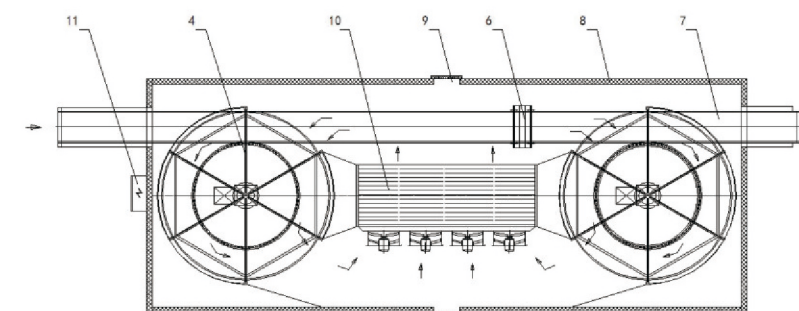
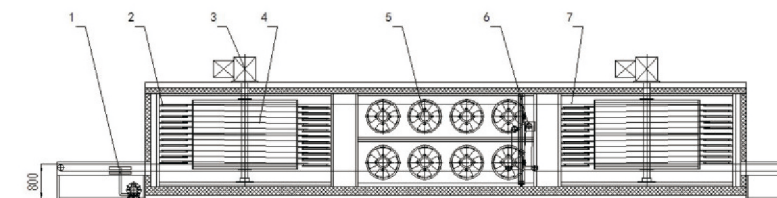
注：①生产能力以裸冻虾为计。 ②耗冷量工况：+35°C/-42°C。 ③装机功率不含压缩机系统。  
Note: ①capacity based on naked frozen shrimp. ②working condition of cold load:+35°C/-4 2°C.  
③power required excludes refrigeration system

## SSF型双螺旋速冻机主要技术参数

Main technical parameters of SSF model double-drum spiral freezer

参数 Parameters	型号 Model	SSF-1000	SSF-1500	SSF-2000	SSF-2500	SSF-3000
产量 Capacity (kg/h)		1000	1500	2000	2500	3000
外形尺寸 (L×W×H) Overall dimensions (m)		12.5×4.6×3.1	13.1×5.0×3.6	16.1×5.1×3.9	16.1×5.3×4.3	17.6×6.0×4.8
库体尺寸 (L×W×H) Freezer size (m)		9.3×4.6×2.4	9.9×5.0×2.9	12.9×5.1×3.2	12.9×5.3×3.6	14.4×6.0×4.1
网带宽度 Width of belt (mm)		620	700	700	750	750
进料温度 Input material temperature (°C)		+15				
出料温度 Output material temperature (°C)		-18				
冻结温度 Freezing temperature (°C)		-36±2				
冻结时间 Freezing Time (min)		15 ~ 90(连续可调)(Continually adjustable)				
制冷剂 Coolant		R717/R507a/R404a				
耗冷量 Cold load (kw)		165	220	300	360	400
装机功率 Power required (kw)		20	24	32	40	46

注：①生产能力以裸冻虾为计。 ②耗冷量工况：+35°C/-42°C。 ③装机功率不含压缩机系统。  
Note: ①capacity based on naked frozen shrimp. ②working condition of cold load:+35°C/-4 2°C.  
③power required excludes refrigeration system



1. 清洁装置 Cleaning device
2. 托轨 Support rail
3. 转鼓电机 Motor of drum
4. 转鼓 Drum
5. 鼓风机 Fan
6. 调节装置 Regulating device
7. 螺旋网带 Spiral belt
8. 聚氨酯板 PU plate
9. 检修门 Access door
10. 蒸发器 Evaporator
11. 电控柜 Electric control cabinet

SSF型双螺旋速冻机示意图 SSF Double Spiral Tunnel Freezer (Sketch Map)

## SSD隧道式速冻机介绍

### SSD tunnel freezer introduction

#### 概述：

SSD隧道式速冻机是一种结构简单，性能稳定，适用范围广的高效速冻装置。根据输送带形式的不同，可分为SSD-W型隧道网带式速冻机和SSD-B型隧道板带式速冻机。SSD-W型速冻机主要适用于海产品、禽肉、面食、素食、调味包等产品的速冻。而SSD-B型速冻机主要适用于含水量大，柔软的，流质类食品，如鱼片、扇贝、墨鱼、虾仁等。

SSD系列隧道式速冻机的速冻形式可以是单冻、块冻以及盘冻方式。冻结产量在150-1500kg/h。

#### Summary:

Summary: SSD tunnel freezer is an efficient quick freezing machine which has simple structure, steady performance and wide application. According to the different types of conveyor, it can be divided into SSD-W mesh belt tunnel freezer and SSD-B plate belt tunnel freezer. SSD-W mesh belt tunnel freezer is mainly suitable for freezing seafood, poultry, flour product, vegetarian diet and condiments, etc. SSD-B plate belt tunnel dryer is mainly suitable for large water content and soft food such as fish fillet, scallop, cuttlefish and shelled shrimp, etc.

The freeze form of SSD series tunnel freezer can be IQF, BQF and tray quick freezer. The freezing capacity can be 150-1500kg/h.

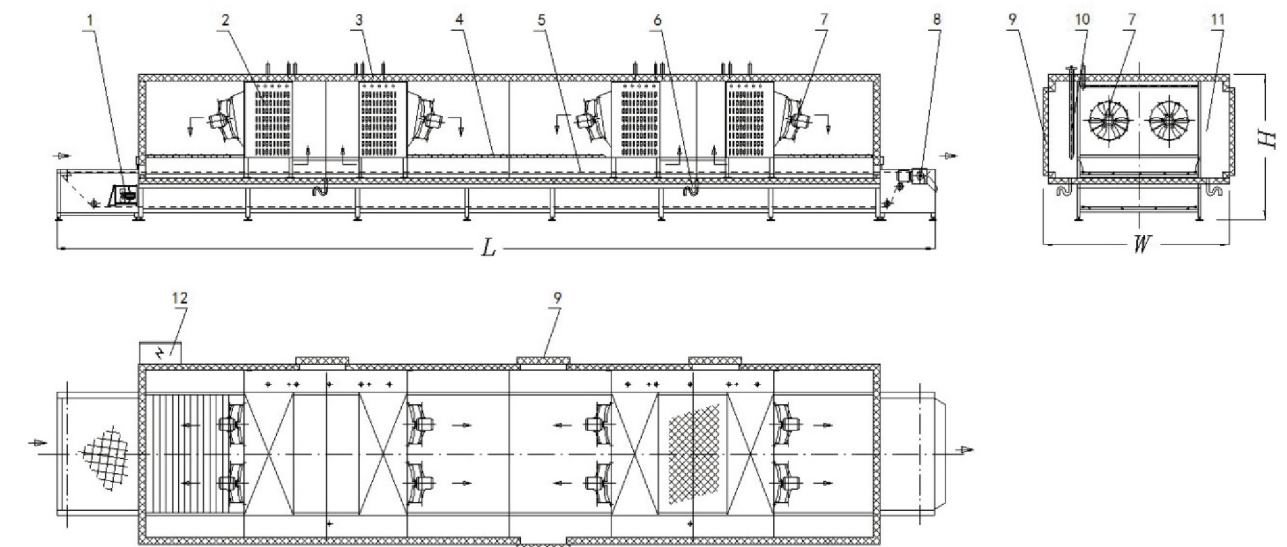


### SSD-W型网带式隧道速冻机主要技术参数

#### Main technical parameters of SSD-W model mesh belt tunnel freezer

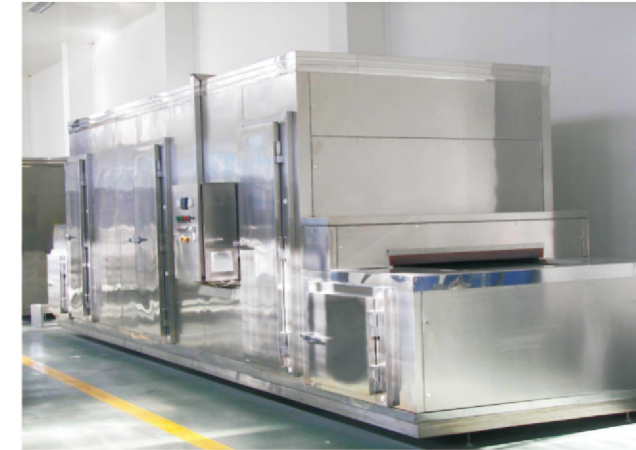
参数 Parameters	型号 Model	SSD-W-300	SSD-W-500	SSD-W-750	SSD-W-1000	SSD-W-1500
产量 Capacity (kg/h)		300	500	750	1000	1500
制冷量 Cold load (kw)		70	110	140	180	270
库体长度 Freezer length (m)		7	8	10	13	16
外形尺寸(L×W×H) Overall dimension (m)		9.3×3.3×2.2	10.3×3.3×2.2	12.3×3.7×2.2	15.3×3.7×2.2	18.3×4.3×2.2
装机功率 Power required (kw)		11	12	15	22	32
进料温度 Input material temperature (°C)		+15				
出料温度 Output material temperature (°C)		-18				
库内温度 Temperature inside the freezer (°C)		-36±2				
冻结时间 Freezing time (min)		10~50(连续可调)(Continually adjustable)				
制冷剂 Coolant		R717/R507a/R404a				

注：①生产能力以水饺计 ②耗冷量工况：+35°C/-40°C ③装机功率不含压缩机系统  
 Note:①capacity based on dumplings. ②working condition of cold load: +35°C/-40°C.  
 ③power required excludes refrigeration system.



- |                         |   |
|-------------------------|---|
| 1. 清洁装置 Cleaning device | 2. 蒸发器 Evaporator                       |
| 3. 聚氨酯库板 PU plate       | 4. 导风器 Air deflector                    |
| 5. 输送带 Belt             | 6. 机加 Framework                         |
| 7. 鼓风机 Blower           | 8. 传动电机 Drive motor                     |
| 9. 检修门 Maintenance door | 10. 供液回汽管 Liquid supply and return pipe |
| 11. 走道 Corridor         | 12. 电控柜 Electric cabinet                |

### SSD-W网带式隧道速冻机 SSD-W mesh belt tunnel freezer (Sketch Map)

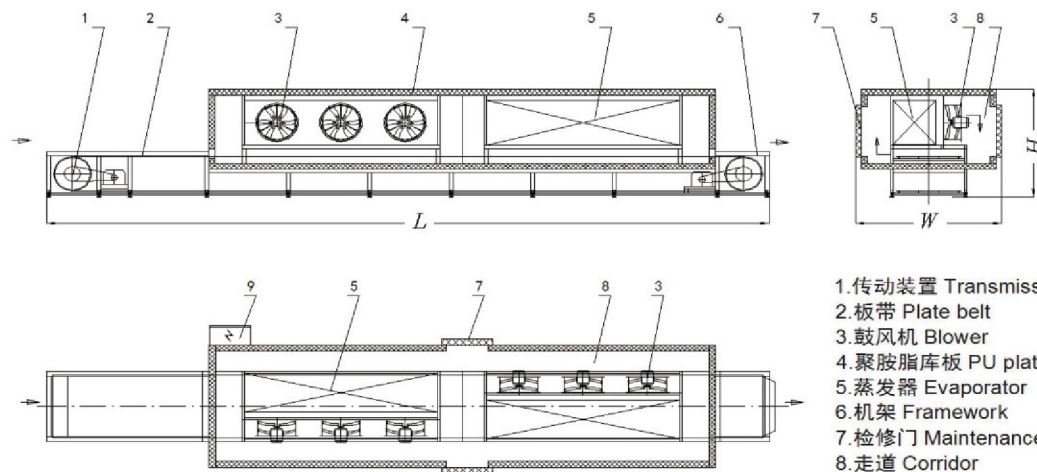


**SSD-B型板带式隧道速冻机主要技术参数**

Main technical parameters of SSD-B model plate belt tunnel freezer

参数 Parameters	型号 Model	SSD-B-300	SSD-B-500	SSD-B-750
产量 Capacity (kg/h)		300	500	750
制冷量 Cold load (kw)		70	130	185
库体长度 Freezer length (m)		13	18	22
外形尺寸 (L×W×H) Overall dimension (m)		18×2.5×1.6	24×2.5×1.6	28×2.5×1.6
装机功率 Power required (kw)		14	18	23
进料温度 Input material temperature (°C)		+10		
出料温度 Output material temperature (°C)		-18		
库内温度 Temperature inside the freezer (°C)		-36±2		
冻结时间 Freezing time (min)		10~50(连续可调)(Continually adjustable)		
制冷剂 Coolant		R717/R507a/R404a		

注：①生产能力以裸冻扇贝为例 ②耗冷量工况：+35°C/-40°C ③装机功率不含压缩机系统  
 Note:①capacity based on naked frozen scallop. ②working condition of cold load:+35°C/-40 °C. ③power required excludes refrigeration system.



- 1.传动装置 Transmission device
- 2.板带 Plate belt
- 3.鼓风机 Blower
- 4.聚胺脂库板 PU plate
- 5.蒸发器 Evaporator
- 6.机架 Framework
- 7.检修门 Maintenance door
- 8.走道 Corridor
- 9.电控柜 Electric cabinet

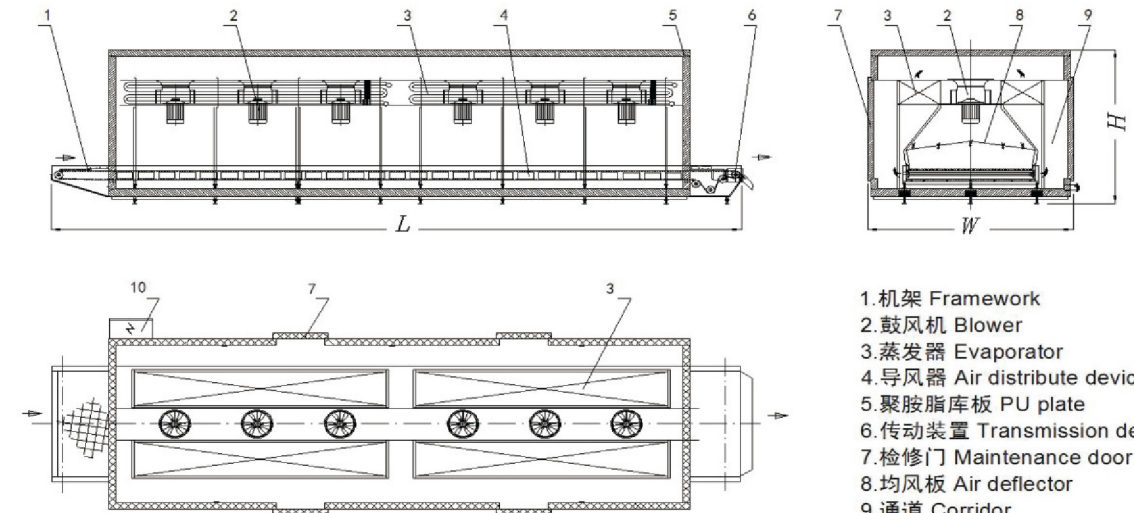
SSD-B板带式隧道速冻机(示意图) SSD-B plate belt tunnel freezer (Sketch Map)

**SSD-C型冲击式隧道速冻机主要技术参数**

Main technical parameters of SSD-C model impact tunnel freezer

参数 Parameters	型号 Model	SSD-C-500	SSD-C-750	SSD-C-1000
产量 Capacity (kg/h)		500	750	1000
制冷量 Cold load (kw)		90	140	190
库体长度 Freezer length (m)		6	9	12
外形尺寸 (L×W×H) Overall dimension (m)		7.0×4.4×3.1	10.0×4.4×3.1	13.0×4.4×3.1
装机功率 Power required (kw)		32	47	62
进料温度 Input material temperature (°C)		+10		
出料温度 Output material temperature (°C)		-18		
库内温度 Temperature inside the freezer (°C)		-36±2		
冻结时间 Freezing time (min)		10~50(连续可调)(Continually adjustable)		
制冷剂 Coolant		R717/R507a/R404a		

注：①生产能力以鱼片为例 ②耗冷量工况：+35°C/-40°C ③装机功率不含压缩机系统  
 Note:①capacity based on fish fillet. ②working condition of cold load:+35°C/-40°C. ③power required excludes refrigeration system.



- 1.机架 Framework
- 2.鼓风机 Blower
- 3.蒸发器 Evaporator
- 4.导风器 Air distribute device
- 5.聚胺脂库板 PU plate
- 6.传动装置 Transmission device
- 7.检修门 Maintenance door
- 8.均风板 Air deflector
- 9.通道 Corridor
- 10.电控柜 Electric cabinet

SSD-C冲击式隧道速冻机(示意图) SSD-C impact tunnel dryer (Sketch Map)